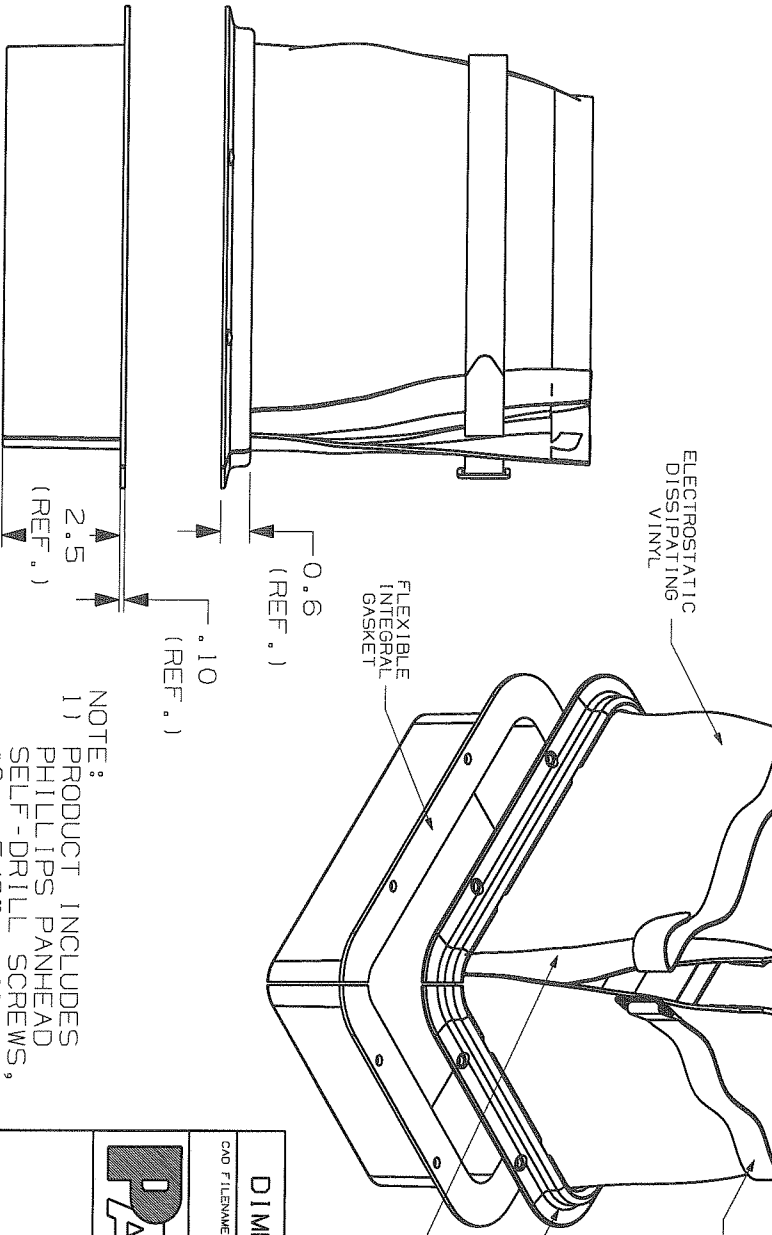
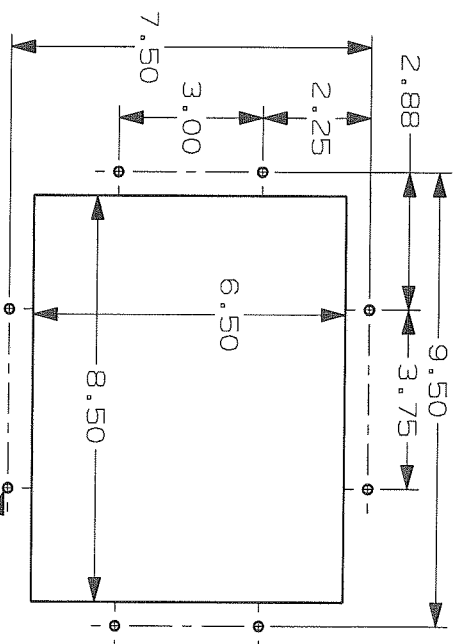
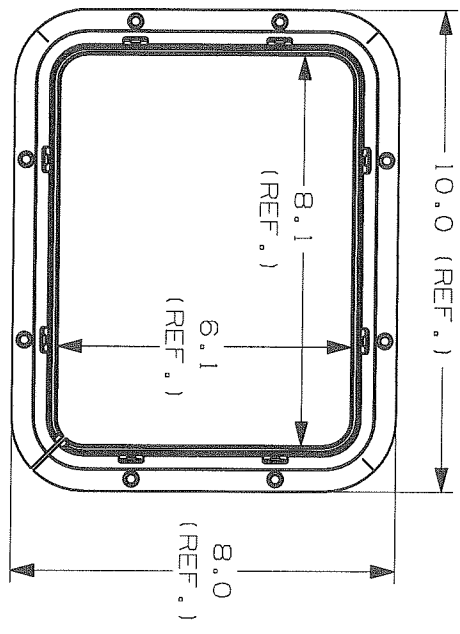


THIS COPY IS PROVIDED ON A RESTRICTED BASIS AND IS NOT TO BE USED IN ANY WAY DETRIMENTAL TO THE INTERESTS OF PANDUIT CORP.



NOTE:  
 1) PRODUCT INCLUDES  
 PHILLIPS PANHEAD  
 SELF-DRILL SCREWS,  
 #6 x 5/8", (QTY 8).

REV	DATE	BY	CHK	DESCRIPTION	ECN	R	CUST	SUP
04B	08/15/08	ARRHA	ARRHA	ADDED "Y" PART NUMBER: CHANGED REV. STYLE, FILENAME, AND CUT-OUT DIM'S	GB3405VE	04B	KLN	
R	01/18/08	ARRHA	ARRHA	INITIAL RELEASE	GB3405VE	R		

**PANDUIT** CORP. TINLEY PARK, ILLINOIS

**RAISED FLOOR GROMMET**

RFG10X8(Y)

DIMENSIONS IN BRACKETS ARE METRIC [ mm ]

CAD FILENAME/LAYERS: G03405AD\_DC\_GB3405VE/04B

UNLESS OTHERWISE SPECIFIED, DIMENSIONAL TOLERANCES ARE:  
 (XX) ±0.1 (2.5) (,XXX) ±0.010 (0.25) (,XXX) ±0.02 (0.5) ANGLES ±5°

UNLESS OTHERWISE SPECIFIED, ALL DIMENSIONS ARE GIVEN IN INCHES, THIRD ANGLE PROJECTION.

SCALE: 1:4

DRAWING NO.: GB3405VE

DWG SIZE: A

DRAWN BY: ARRHA

DATE: 01/18/08

CHK'D: KLN

MAT'L: N/A

# Mouser Electronics

Authorized Distributor

Click to View Pricing, Inventory, Delivery & Lifecycle Information:

[Panduit:](#)

[RFG10X8Y](#)